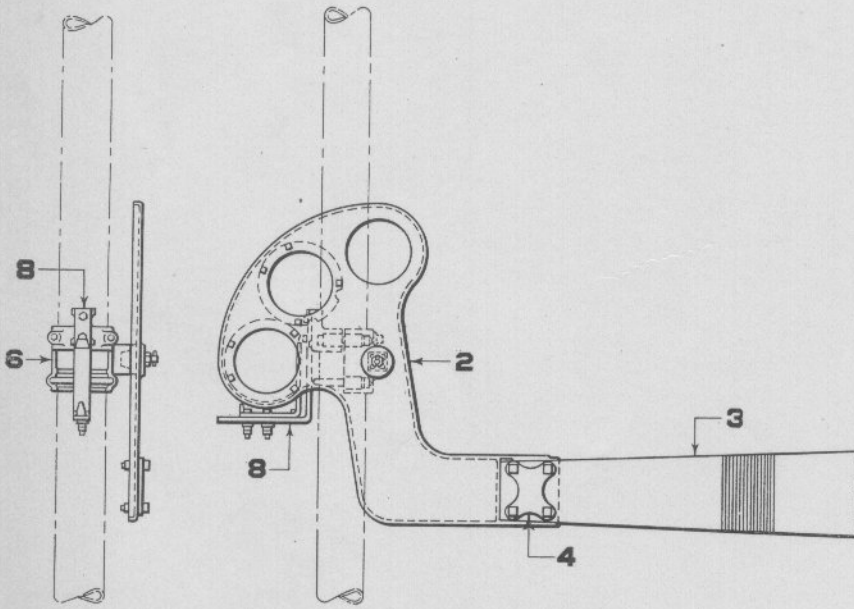


A



B

Fixed Arms

Fixed Arms

NOTE: Spectacles as shown can be fixed at either the 0° or 45° position. If blade other than that shown is desired, same must be specified. See Part 18 of this Section for blades.

Drawing references are shown for convenience in checking shipping lists and invoices.

Fig. No.	Name	Drawing Reference
Order by plate, figure number and name		
A	Fixed Arm Complete as shown, for 5" pipe. Includes Spectacle, Wood Blade, Lamp Bracket and Bearing. (1-1, 1-3, 1-4, 4-4b, 1-5, 1-7).....	
A1	same as Fig. A, except with Steel Blade. (1-1, 1-3a, 1-4a, 1-5, 1-7).....	
B	Fixed Arm Complete as shown, for 5" pipe. Includes Spectacle, Wood Blade, Lamp Bracket and Bearing. (1-2, 1-3, 1-4, 4-4b, 1-6, 1-8).....	
B1	same as Fig. B, except with Steel Blade. (1-2, 1-3a, 1-4a, 1-6, 1-8).....	
1	Spectacle Complete, three light, 90° throw, 13" centers, takes 8 $\frac{3}{8}$ " Roundels. Includes Bezel Rings and Bolts. For details see Plate H1801 Fig. J.....	43191
2	Staggered Light Spectacle Complete, three light, 90° throw, 13" centers, takes 8 $\frac{3}{8}$ " Roundels. Includes Bezel Rings and Bolts. For details see Plate H1801 Fig. H.....	
3	Wood Blade, 3'-6" long, one priming coat only.....	
3a	Steel Blade, 3'-6" long. Furnish sketch showing striping and specify colors.....	
4	Blade Plate, for Wood Blade Fig. 3.....	10319
4a	Blade Clamp Complete, for Steel Blade Fig. 3a. For details see Plate H1820 Fig. 16.....	48021
4b	Bolt, $\frac{1}{2}$ " x 2" sq. hd. with sq. Nut, for Blade Plate Fig. 4.....	011
5	Bearing Complete for 5" pipe, for Figs. A and A1. Includes Bolts, Set Screw and Cotter Pin. (1-5a, 1-5b, 2-5c, 1-5d).....	43189
5a	Bearing only, for Figs. 5 and 6.....	43190
5b	Bolt, $\frac{3}{4}$ " x 5 $\frac{1}{2}$ " sq. hd. with hex. Nut and Cotter Pin, for Bearings Figs. 5 and 6.....	
5c	U Bolt Complete, for 5" pipe, for Bearings Figs. 5 and 6. Includes hex. Nuts and Washers.....	43741

Fixed Arms

Drawing references are shown for convenience in checking shipping lists and invoices.

Fig. No.	Name	Drawing Reference
Order by plate, figure number and name		
5d	Set Screw, $\frac{1}{2}$ " x $1\frac{1}{2}$ " sq. hd., for Bearings Fig. 5 and Fig. 6.	39066
6	Bearing Complete, for Figs. B and B1. Same as Fig. 5 except with Clamp Fig. 6a and two Bolts Fig. 6b in place of one U Bolt Fig. 5c. (1-5a, 1-5b, 1-5c, 1-5d, 2-6a).....	
6a	Clamp, for Lamp Bracket.....	35654
6b	Bolt, $\frac{3}{4}$ " x $5\frac{3}{4}$ " sq. hd. with hex. Nut and Lock Washer, for fastening Lamp Bracket Fig. 8 to Bearing Fig. 6.	
7	Lamp Bracket Complete, for Vertical Light Spectacle Fig. 1. Includes Clamp, U Bolt, Support, Bracket and Bolts. For details see Plate H1711 Fig. B.....	35651
8	Lamp Bracket Complete, for Staggered Light Spectacle Fig. 2. Includes Support, Bracket and Bolts. For details see Plate H1711 Fig. J1.....	