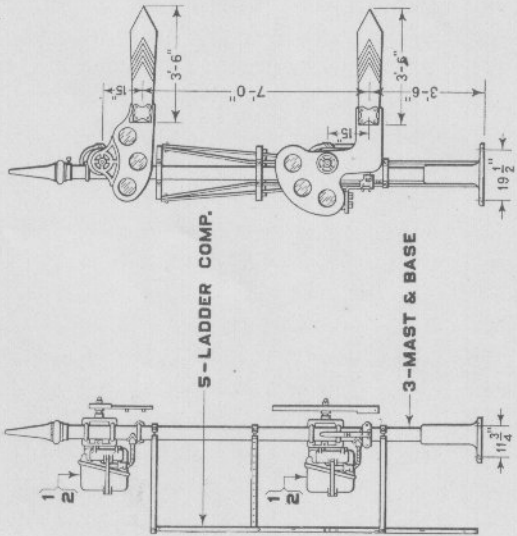


- F -- WITH 8 VOLT MECHANISM
- G -- WITH 10 VOLT MECHANISM
- H -- WITH 20 VOLT MECHANISM
- J -- WITH 25 VOLT MECHANISM
- K -- WITH 110 VOLT MECHANISM

DIAMETER OF ROUNDEL 8 5/8"



- A -- WITH 8 VOLT MECHANISM
- B -- WITH 10 VOLT MECHANISM
- C -- WITH 20 VOLT MECHANISM
- D -- WITH 25 VOLT MECHANISM
- E -- WITH 110 VOLT MECHANISM

Two Arm Upper Quadrant Bracket or Bridge Signals

**Two Arm and High Two Arm  
Upper Quadrant Bracket or Bridge Signals  
Model 2A Top of Mast Mechanism**

Unless otherwise specified, signals will be furnished as illustrated on opposite page. Lamps and number plates are not included. If signals other than those shown are desired, specify height to center of blades and give reference numbers to spectacle and blade; also state number and color of roundels. See Part 18 of this Section for spectacles, blades and roundels and Part 17 for masts, ladders, bearings, etc.

Circuit controllers are equipped with the contacts necessary for the local control of the signal only. If pole changing contacts or extra drag contacts are required, same must be specified. State the positions of the signal blade at which each extra contact is to make and break, considering the stop position as 0 degree.

Drawing references are shown for convenience in checking shipping lists and invoices.

Fig. No.	Name	Drawing Reference
<b>Order by plate, figure number and name</b>		
A	Two Arm Staggered Light Upper Quadrant Model 2A Bracket or Bridge Signal, with 8 volt Mechanism, complete as shown. For details and specifications of Signal Mechanism see Plate H0901. ....	
A1	as above, except without Roundels. ....	
A2	same as Fig. A, except one Arm operative and one Arm fixed. Specify Arm and position of Arm to be fixed. ....	
A3	same as Fig. A2, except without Roundels. ....	
B	same as Fig. A, except with 10 volt Mechanism. ....	
B1	as above, except without Roundels. ....	
B2	same as Fig. B, except one Arm operative and one Arm fixed. Specify Arm and position of Arm to be fixed. ....	
B3	same as Fig. B2, except without Roundels. ....	
C	same as Fig. A, except with 20 volt Mechanism. ....	
C1	as above, except without Roundels. ....	
C2	same as Fig. C, except one Arm operative and one Arm fixed. Specify Arm and position of Arm to be fixed. ....	
C3	same as Fig. C2, except without Roundels. ....	
D	Two Arm Staggered Light Upper Quadrant Model 2A Bracket or Bridge Signal, with 25 volt Mechanism, complete as shown. For details and specifications of Signal Mechanism see Plate H0903. ....	

**Two Arm and High Two Arm  
Upper Quadrant Bracket or Bridge Signals  
Model 2A Top of Mast Mechanism**

Drawing references are shown for convenience in checking shipping lists and invoices.

Fig. No.	Name	Drawing Reference
<b>Order by plate, figure number and name</b>		
D1	same as Fig. D, except without Roundels . . . . .	
D2	same as Fig. D, except one Arm operative and one Arm fixed. Specify Arm and position of Arm to be fixed. . . . .	
D3	same as Fig. D2, except without Roundels . . . . .	
E	same as Fig. D, except with 110 volt Mechanism . . . . .	
E1	as above, except without Roundels . . . . .	
E2	same as Fig. E, except one Arm operative and one Arm fixed. Specify Arm and position of Arm to be fixed. . . . .	
E3	same as Fig. E2, except without Roundels . . . . .	
F	High Two Arm Staggered Light Upper Quadrant Model 2A Bracket or Bridge Signal, with 8 volt Mechanism, com- plete as shown. For details and specifications of Signal Mechanism see Plate H0901. . . . .	
F1	as above, except without Roundels . . . . .	
F2	same as Fig. F, except one Arm operative and one Arm fixed. Specify Arm and position of Arm to be fixed. . . . .	
F3	same as Fig. F2, except without Roundels . . . . .	
G	same as Fig. F, except with 10 volt Mechanism . . . . .	
G1	as above, except without Roundels . . . . .	
G2	same as Fig. G, except one Arm operative and one Arm fixed. Specify Arm and position of Arm to be fixed. . . . .	
G3	same as Fig. G2, except without Roundels . . . . .	
H	same as Fig. F, except with 20 volt Mechanism . . . . .	
H1	as above, except without Roundels . . . . .	
H2	same as Fig. H, except one Arm operative and one Arm fixed. Specify Arm and position of Arm to be fixed. . . . .	
H3	same as Fig. H2, except without Roundels . . . . .	
J	High Two Arm Staggered Light Upper Quadrant Model 2A Bracket or Bridge Signal, with 25 volt Mechanism, com- plete as shown. For details and specifications of Signal Mechanism see Plate H0903. . . . .	

March 1916

**GENERAL RAILWAY SIGNAL COMPANY**

**Two Arm and High Two Arm  
Upper Quadrant Bracket or Bridge Signals  
Model 2A Top of Mast Mechanism**

Drawing references are shown for convenience in checking shipping lists and invoices.

Fig. No.	Name	Drawing Reference
<b>Order by plate, figure number and name</b>		
<b>J1</b>	same as Fig. J, except without Roundels.....	
<b>J2</b>	same as Fig. J, except one Arm operative and one Arm fixed. Specify Arm and position of Arm to be fixed.....	
<b>J3</b>	same as Fig. J2, except without Roundels.....	
<b>K</b>	same as Fig. J, except with 110 volt Mechanism.....	
<b>K1</b>	as above, except without Roundels.....	
<b>K2</b>	same as Fig. K, except one Arm operative and one Arm fixed. Specify Arm and position of Arm to be fixed.....	
<b>K3</b>	same as Fig. K2, except without Roundels.....	
<b>1</b>	Model 2A 8 volt Signal Mechanism Complete, includes Clamp Bearing, for Fig. A and Fig. F. For details and specifications see Plate H0901 Fig. A.....	
<b>1a</b>	same as Fig. 1, except 10 volt, for Fig. B and Fig. G.....	
<b>1b</b>	same as Fig. 1, except 20 volt, for Fig. C and Fig. H.....	
<b>2</b>	Model 2A 25 volt Signal Mechanism Complete, includes Clamp Bearing, for Fig. D and Fig. J. For details and specifications see Plate H0903 Fig. A.....	
<b>2a</b>	same as Fig. 2, except 110 volt, for Fig. E and Fig. K.....	
<b>3</b>	Mast, 13'-0" long of 5" pipe, drilled for Wire Outlets, includes R. S. A. Base, for Two Arm Signals Figs. A to E inclusive. For details see Plate H1701.....	31498
<b>4</b>	Mast, 19'-0" long of 5" pipe, drilled for Wire Outlets, includes R. S. A. Base, for High Two Arm Signals Figs. F to K inclusive. For details see Plate H1701.....	31499
<b>5</b>	Ladder Complete, includes Hand Rail, Platform, Stay, Clamps and Bolts, for Figs. A to E inclusive. For details see Plate H1703.....	33992
<b>6</b>	Ladder Complete, includes Hand Rails, Platforms, Stays, Clamps and Bolts, for Figs. F to K inclusive. For details see Plate H1703.....	33993