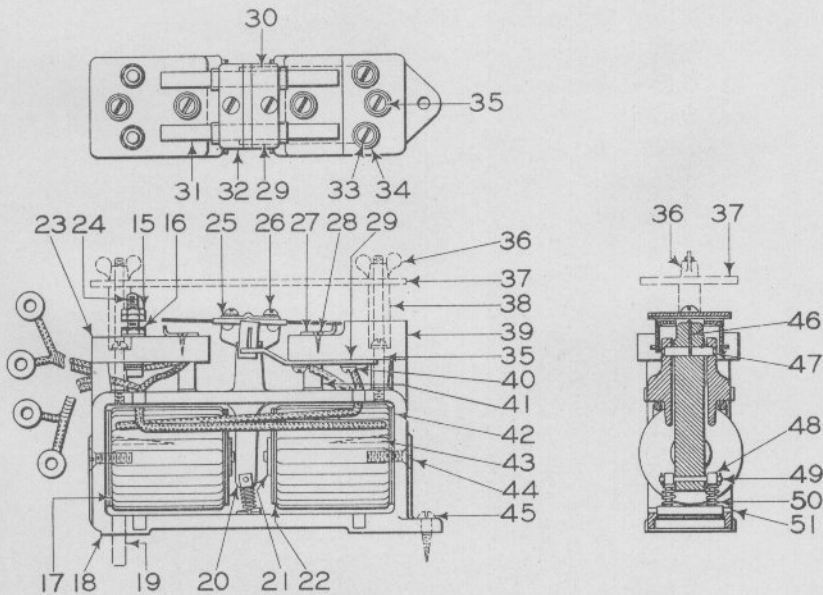


A-Indication Selector



B-Indication Selector

Indication Selectors for Interlocking Machines

Electric Interlocking Machines

Indication Selectors

NOTE: If selectors or parts other than those shown are required order should specify full information as to function of lever from which selector is to be operated.

Name and location of interlocking plant for which material is required should be shown on order.

Drawing references are shown for convenience in checking shipping lists and invoices.

Fig. No.	Name	Drawing Reference
Order by plate, figure number and name		
A	Indication Selector Complete, as shown, for regular 110 volt D.C. switch machine.	2550-1 Gr. 1
A1	as above, except for 110 volt, slow speed switch machine.	2550-1 Gr. 2
A2	same as Fig. A, except for 110 volt, medium speed switch machine.	2550-1 Gr. 5
A3	same as Fig. A, except for 110 ²²⁰ volt high speed switch machine.	2550-1 Gr. 6
B	Indication Selector Complete, as shown, for 110 volt D.C. high speed switch machine.	39670
B1	as above, except for 110 volt A.C. switch machine.	39670
1	Coil, as shown, for indication selector used with regular 110 volt D.C. switch machine.	2078-4 Gr. 1
1a	as above, except for 110 volt slow speed switch machine.	2078-4 Gr. 2
1b	same as Fig. 1, except for 110 volt medium speed switch machine.	2078-4 Gr. 6
1c	same as Fig. 1, except for 220 volt high speed switch machine.	2078-4 Gr. 3
2	Cap Complete, as shown, with contact springs riveted in place and three sets of terminal posts marked for D.C. operation. Cap has round hole in center for armature. If caps other than those shown are required, same will be furnished when specified.	50750-2 Gr. 1
3	Armature Complete, with silver contact, for indication selector Fig. A.	2634-4 Gr. 1
4	Core Complete, with pin as shown, for coil.	2528-1 Gr. 1
5	Guard, for indication selector Fig. A.	3185
6	Screw, No. 8-32 x 1/2" rd. hd., for fastening guard Fig. 5 to frame.	2553-15
7	Screw, No. 14-24 x 3/4" fl. hd., for fastening coils to frame.	50599

(Continued on following page)

Electric Interlocking Machines

Indication Selectors

Drawing references are shown for convenience in checking shipping lists and invoices.

Fig. No.	Name	Drawing Reference
Order by plate, figure number and name		
8	Washer, insulation, for use between coils and frame	34017-9
9	Frame, for indication selector Fig. A	2527-1
10	Wood Screw, No. 14 x 1" rd. hd., for mounting indication selector Fig. A to interlocker	19538-1
11	Washer, insulation, for use at ends of coils	34017-8
12	Pin, $\frac{3}{32}$ " x $1\frac{1}{16}$ ", used as hinge for armature	504-9
13	Dowel Pin, for fastening indication selector Fig. A to interlocker	22949
14	Stud, No. 10-32 x $1\frac{1}{16}$ ", used as terminal post for indication selector	34928-1
15	Nut, No. 10-32 x $\frac{1}{8}$ " hex., for terminal posts Figs. 14 and 24	40796
16	Washer, for terminal posts Figs. 14 and 24	5046-5
17	Coil, as shown, for indication selector Fig. B used with 110 volt D.C. high speed switch machine	39674 Gr. 1
17a	as above, except for indication selector Fig. B1 used with 110 volt A.C. switch machine	39674 Gr. 2
18	Frame, for indication selector Fig. B	39671
19	Dowel Pin, for fastening indication selector Fig. B to interlocker	504-72
20	Armature Complete, for indication selector Fig. B	39672
21	Core, for coil Fig. 17	39675
22	Washer, felt, for use on end of coil Fig. 17	1533-14
23	Contact Block, as shown, for indication selector Fig. B	39677
24	Screw, No. 10-32 x $1\frac{1}{4}$ " sq. hd., used as terminal post	29290-3
25	Insulator, for top of armature Fig. 20	39676
26	Screw, No. 8-32 x $\frac{7}{16}$ " rd. hd., with washer, for fastening contact fingers to armature	<div style="display: flex; align-items: center;"> { <div style="margin-left: 5px;"> 2429-1 43058-1 </div> </div>
27	Contact, as shown, for indication selector	39691
28	Wood Screw, No. 6 x $\frac{3}{8}$ " fl. hd., for fastening contact Fig. 27 to block	0121
29	Contact Complete, for use in position shown	39682

(Continued on following page)

Electric Interlocking Machines
 Indication Selectors

Drawing references are shown for convenience in checking shipping lists and invoices.

Fig. No.	Name	Drawing Reference
Order by plate, figure number and name		
30	Contact Complete, for use in position shown	39681
31	Contact Spring Complete, for indication selector Fig. B	39683
32	Cap, for contacts	39673
33	Screw, No. 8-32 x $\frac{1}{16}$ " rd. hd., used as terminal post for contact fingers Figs. 29 and 30	20638-1
34	Washer, for screw Fig. 19	2534-1
35	Screw, No. 8-32 x 1" rd. hd., for mounting contact block to frame	17449-1
36	Wing Nut, for holding cover on indication selector	46459
37	Cover, insulating, for indication selector Fig. B	51363
38	Stud, shouldered, for cover	8885-1
39	Contact Block, for use in position shown	39678
40	Wood Screw, No. 6 x $\frac{3}{8}$ " rd. hd., for fastening contact springs Figs. 29 and 30 to contact block	41898
41	Bushing, for supporting contact blocks Figs. 23 and 39	39690
42	Washer, for use between coil and frame	39695
43	Wedge, for securing coil to core	39696
44	Screw, $\frac{1}{4}$ "-24 x 1" fl. hd., for mounting coil Fig. 17 to frame	7518
45	Wood Screw, No. 10 x 1" rd. hd., for mounting indication selector Fig. B to interlocker	0444-2
46	Escutcheon Pin, for armature	17908
47	Pin, hinge, for armature	39694
48	Spring Guide, for spring Fig. 50	39680
49	Pin, hinge, for spring guides	39693
50	Spring, for armature	39692
51	Spring Support, for spring Fig. 50	39679

Indication Latches
 Without Buffer Arrangement
 For Model 5 Electric Interlocking Machines